

Fantom

MAGIC WF 4000

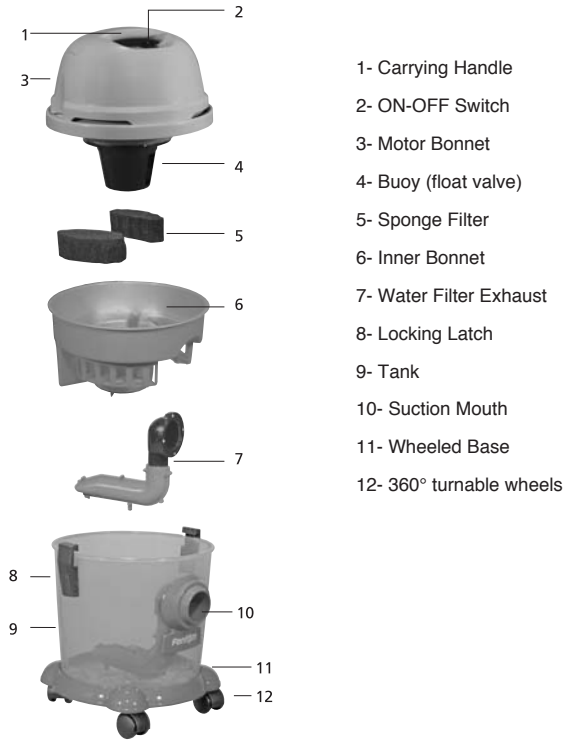
**WATER FILTER
VACUUM CLEANER**



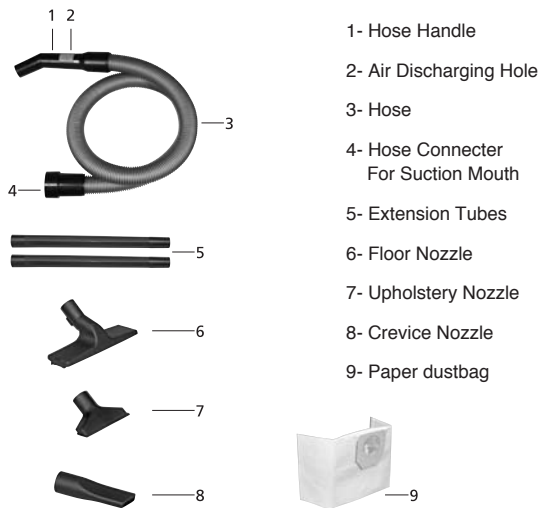
TYPE WF W 11

USER'S GUIDE

COMPONENT PARTS



ACCESSORIES



PRECAUTIONS (READ BEFORE USING)

PRECAUTIONS



- Make sure that the voltage on the power name plate of the device corresponds to the voltage of your network.
- Use your machine with the right currency. The plug has to be protected with min.10 amperes.
- In order not to compromise the safety of the appliance, use only original spare parts and accessories. The warranty is not valid if unsuitable spare parts and accessories are used in any way.
- Do not damage the isolation of the cable. In case of damage, the cable has to be immediately replaced by an authorised service center. Do not operate the appliance with the damaged cable.
- Use your machine by the user's guide shown. Do not use it for any other purpose.
- Unplug your machine before doing any maintenance or before cleaning. Do not leave your machine plugged in.
- Do not touch the cable with wet hands.
- Do not pull the machine by its cable or close door on the cable. Do not move your machine as it will coil the cable.
- Do not let your children play with the machine. Pay attention while operating your machine near children.
- Put a paper dustbag in the vacuum cleaner before using dry vacuuming function.
- Keep the machine away from direct heat such as; stove, oven, etc.
- Do not work near inflammable or explosive fluids or gas. Keep your machine away from burning materials.
- Never vacuum warm fluids or materials at more than 60 C, such as burning cigarettes, ashes, glowing coals, etc.
- Do not use your machine for cleaning materials such as razor-blade, nail and especially do not suck up explosive liquids, acids, oil or solvents which may cause explosions.
- Do not vacuum unhealthy dust.
- Before wet vacuuming function, do not forget to take out the paper dustbag.
- Water filter exhaust should always be kept clean. This will let your machine's suction power at max. level.

ASSEMBLY FOR WATER FILTRATION FUNCTION



- Unlock the locking latches pulling outwards as shown in the figure.



- Put the motor bonnet away through holding it from carrying handle.

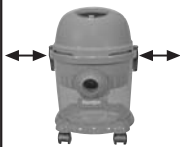


- Put water filter exhaust inside the tank as shown in the figure by pushing through the suction mouth.

- Fill the tank with water by respecting the exact amount of water indicated on the tank as "MAX. WATER LEVEL" . (3,5 lt.)
NOTE: The level of the water should be same as the level indicated on the product with □MAX. WATER LEVEL□ .



- Put the inner bonnet into the tank as shown in the figure.



- Put the motor bonnet back on the tank through holding it from carrying handle and lock the latches by pushing right and left.



NOTE: Do not operate your machine without water when using water filtration function.

WARNING: Detergent residual, from handy cleaning of the carpets and parquetries causes foaming in the tank. In that case immediately switch off the machine and change the water in the tank, otherwise your motor will be damaged by foams.

DRY VACUUMING FUNCTION WITH PAPER DUSTBAG



- Unlock the locking latches pulling outwards as shown in the figure.



- Put the motor bonnet away through holding it from carrying handle.



- Lock the paper dustbag to the clips which are on the back side of the suction mouth.



- The paper dustbag should be fixed into the tank as shown in the figure.

- Put the motor bonnet back on the tank through holding it from carrying handle and lock the latches by pushing right and left.



- Put the hose into the suction mouth and choose the right choice of accessory for dry vacuuming function.
NOTE: Only the paper dustbag should be fixed into the tank while using dry vacuuming function.
NOTE: Always keep a reserve of paper dustbag, so that the vacuum cleaner will be ready for use at any time.

ASSEMBLY FOR WET VACUUMING FUNCTION



- Unlock the locking latches pulling outwards as shown in the figure.



- Put the motor bonnet away through holding it from carrying handle.

- The tank should be clean while using wet vacuuming function. The paper dustbag, inner bonnet and water filter exhaust should certainly be removed out of the tank.



- Put the motor bonnet back on the tank through holding it from carrying handle and lock the latches by pushing right and left.

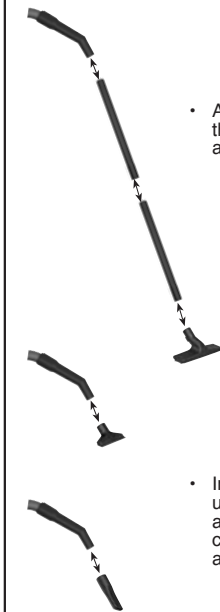
- Put the hose into the suction mouth and choose the right choice of accessory for wet vacuuming function.



- When the vacuumed water has reached to max. level, the buoy will automatically stop vacuuming. In that case, empty the tank then you may go on vacuuming

NOTE: Do not put water into your tank during wet vacuuming function.

ASSEMBLY FOR ACCESSORIES



- After connecting the tubes to each other and to the hose handle, attach the right choice of accessory to the extension tubes.

- Instead of using two extension tubes, you can use your machine with only one tube or without any extension tubes by connecting the right choice of accessory for your wet vacuuming area directly to the hose handle.

MAINTENANCE AND CLEANING

- Unplug your machine before doing any maintenance or before cleaning. Do not leave your machine plugged in.
- Empty the tank after each function.
NOTE: To prevent bad odors, don't leave any liquid in the tank. Clean and keep empty the tank after each operation.
- After wet vacuuming function, dry tubes, hose and parts of the motor properly. After filling out and drying the tank, operate the machine for a few minutes in order to prevent bad odors.
- Do not wash the motor bonnet and do not put it in water. Only clean it by mopping.
- Clean the tank by mopping or washing.
- Clean the accessories by mopping or washing.
- Change paper dustbag with a new one when it gets full.



- From time to time water filter exhaust should be cleaned to ensure higher performance. You can wash sponge filters when they get dirty.

TECHNICAL SPECIFICATIONS

TYPE WF W 11

Nominal Voltage : 220-230 V AC

Nominal Frequency : 50/60 Hz

Power : 1400 W

: IPX4



FANSET ELECTRICAL HOUSEHOLD APPLIANCES LTD.
Merkez Mah. Kavaklı Cad. Sönmez Sok. No:24 34660 Halkalı-Istanbul-Türkiye
Tel: (0212) 697 57 70 (pbx) • Fax: (0212) 548 98 78
www.fanset.com