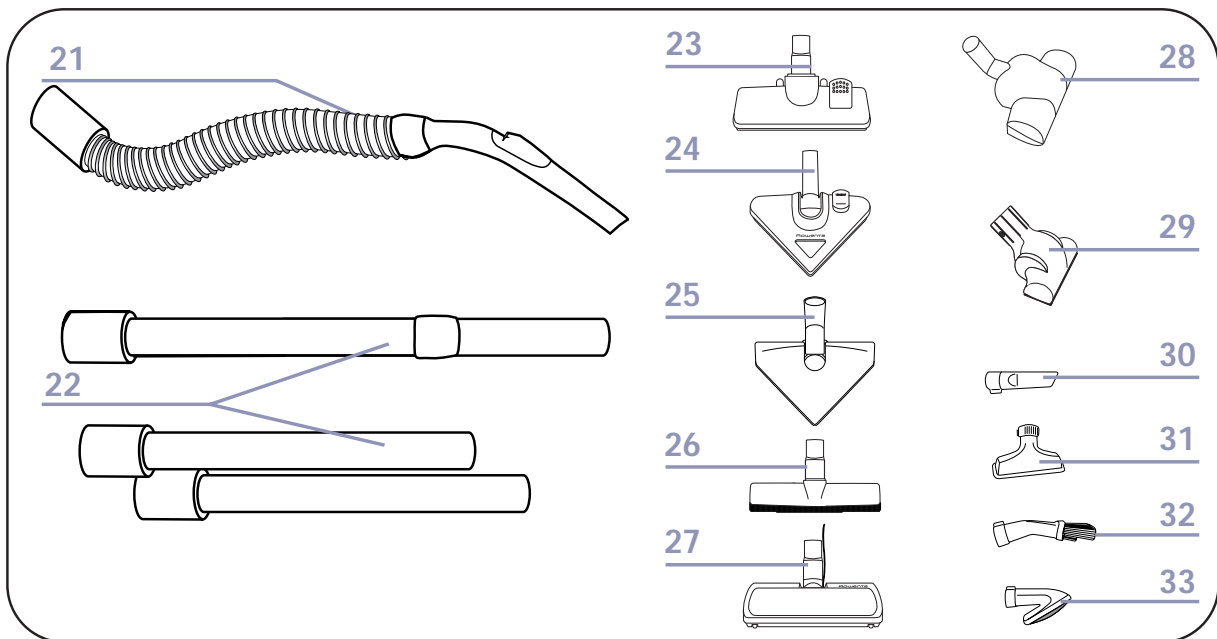
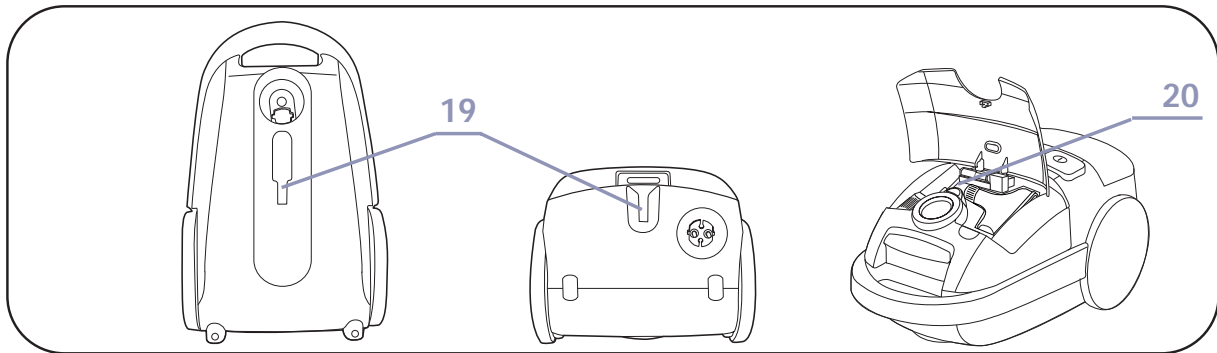
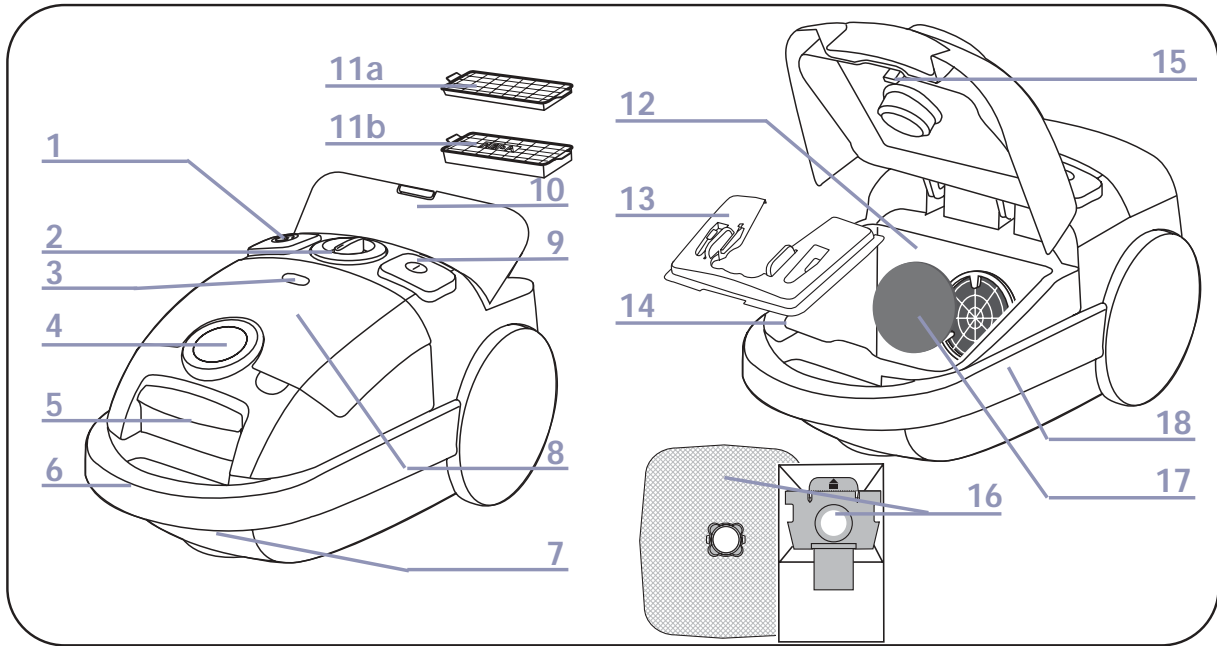


ROWENTA

ARTEC 2



DESCRIPTION

english

1. Start/stop button
2. Variable control EXTREME POWER
3. Bag full indicator
4. Suction opening
5. Dustbag compartment opening
6. Handle
7. Electrobrush connector*
8. Accessory compartment lid
9. Automatic cord rewind button
10. Filtration compartment cover
11. Filtration system*
 - a. Antibacteria microfilter ZR 0020*
 - b. Antibacteria HEPA filter ZR 0011*Your vacuum cleaner is equipped either with a microfilter (a), or with HEPA filter (b).
12. Dustbag compartment
13. Dustbag support
14. Dustbag compartment seal
15. Dustbag in safety
16. Dustbag ZR 0015 or antibacteria Wonderbag
17. Foam filter motor protection
18. Bumper to protect skirting boards and furniture
19. Park position
20. Accessories storage

* this refers to specific tools supplied with certain models as standard, or available as optional extras.

Standard or optional accessories*

21. Suction hold with extra long shaft and mechanical power control*
22. 2 extension tubes or 1 telescopic tube*
23. 2 position cleaning head*
24. Delta Silence cleaning head*
25. Delta System cleaning head*
26. Parquet cleaning head*
For delicate floors
27. Electrobrush ZR 155*
For in-depth vacuuming and cleaning of rugs and carpets. It removes threads and animal hairs.- see Electrobrush ZR 155 instructions for use.
28. Turbobrush*
With its air-flow driven rotating brush, the Turbobrush gives in-depth vacuuming and cleaning. It removes threads and animal hairs trapped in rugs and carpets.
29. Mini turbobrush*
For in-depth cleaning of upholstery and cushions
30. Crevice tool
For crevices and out of reach corners
31. Upholstery tool
For cushions and upholstery
32. SWIP suction duster tool*
For dust on furniture, around curios, on TV screens...
33. WIP suction foam tool*
To vacuum gently fabrics, curtains...

HINTS AND PRECAUTIONS

english

Before each use, the supply cord should be completely unwound. Do not allow it to become trapped or pulled over sharp edges. Never lift the appliance by its cord, always use the handle. If you use an extension cord, make sure that it is in perfect condition and appropriate to the power rating of your appliance. Never unplug the appliance by pulling on the cord. Always turn off and unplug your appliance before maintenance or cleaning. Use only the carrying handle to move the appliance.

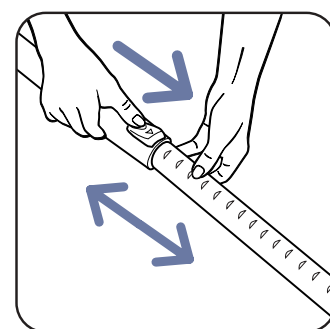
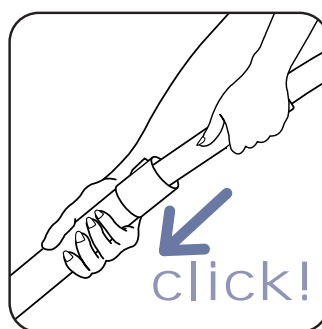
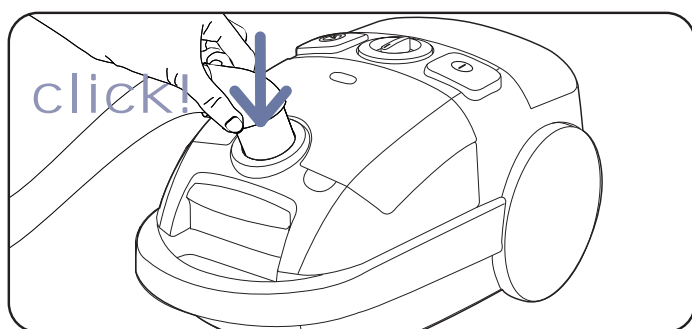
Your appliance is equipped with a motor protection system. In certain cases of use (suction hose on the car seats...), when it starts, the appliance can make a noise.

Always turn off and unplug your appliance before maintenance or cleaning. Never use the appliance without dustbag, filter and motor filter protection. Only use original Rowenta accessories, bag and filters. Only connect Rowenta electrobrush ZR 155 in the electrobrush connector.

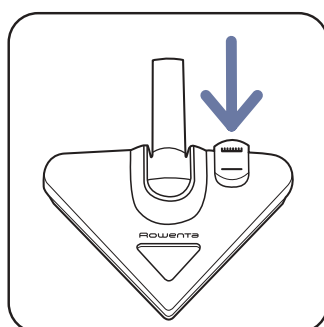
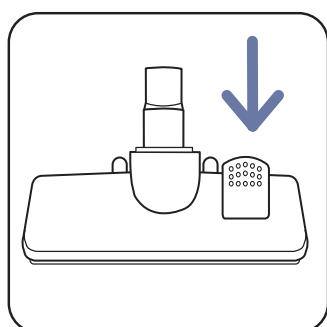
For any problems or queries please contact CUSTOMER RELATIONS:
0845 602 1454 - UK (calls charged at local rate) / (01) 47 51 947 - IRELAND
or visit our web site : www.rowenta.uk.co

BEFORE USE

1 • assemble your vacuum cleaner



2 • choose the right tool

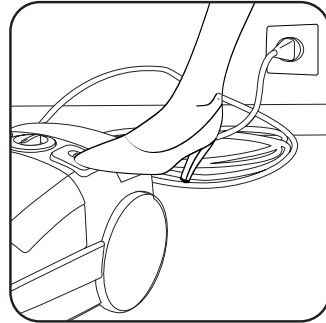
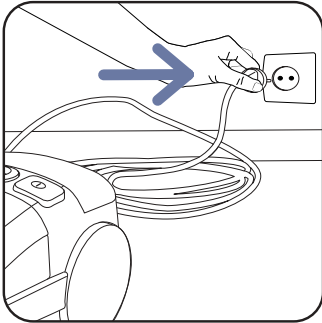


Brush retracted for rugs and carpets and brush extended for smooth floors

VACUUMING

english

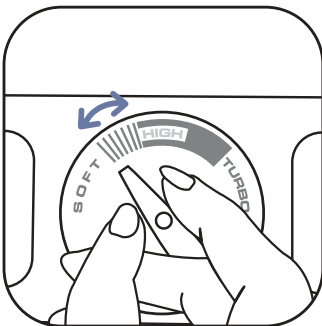
3 • turn on your appliance



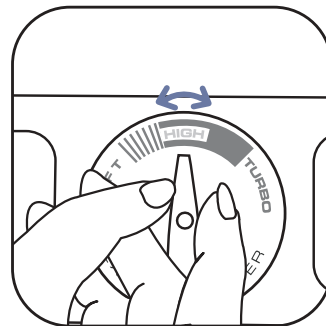
Caution ! Check that dustbag and filter are in place before each use. Never use the appliance without dustbag and filters.

4 • adjust the suction power

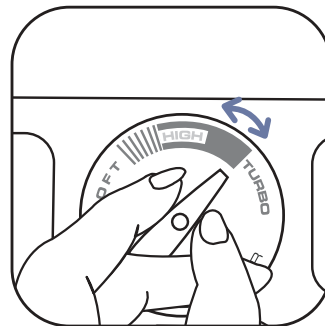
With the electronic power control :



Soft (or low) / delicate surfaces : blinds, shades, plants

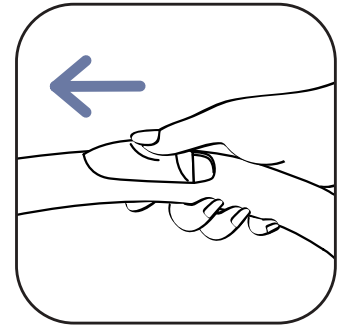


High / smooth floors: wooden floors, tiles, marbled



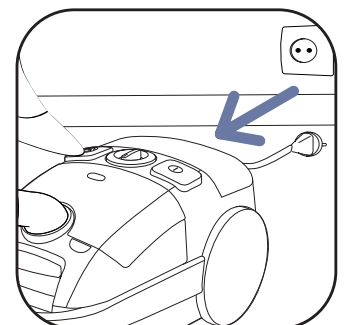
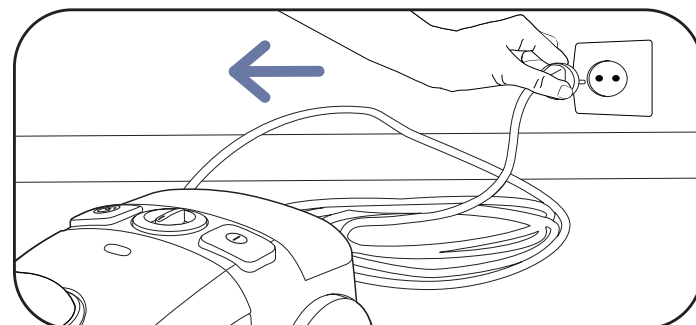
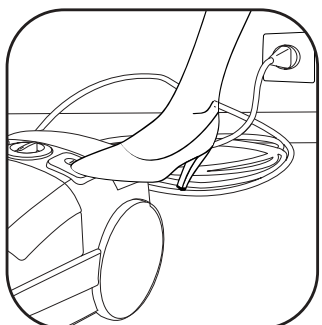
Turbo / deep cleaning : carpet, rugs

With the mechanical power control* :

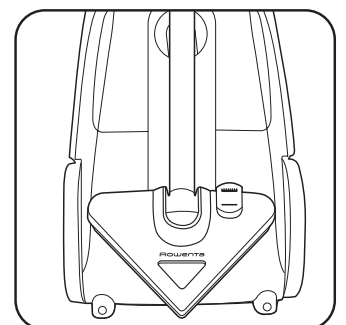
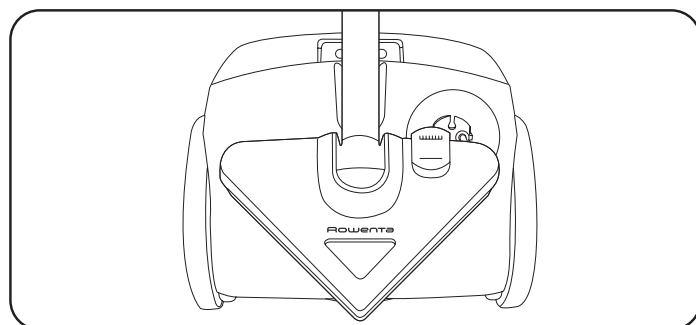
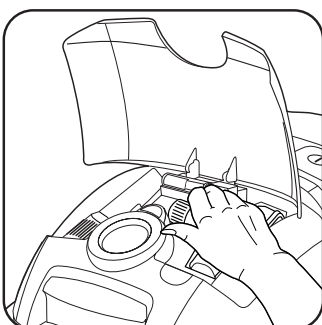


Open : furniture, delicate surfaces...
Closed : floors

5 • turn off the appliance



6 • store the appliance and the accessories

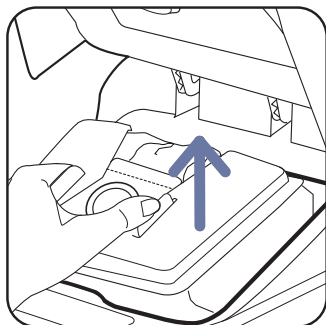
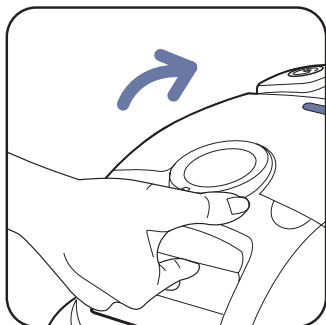


*depending on model

MAINTENANCE AND CLEANING

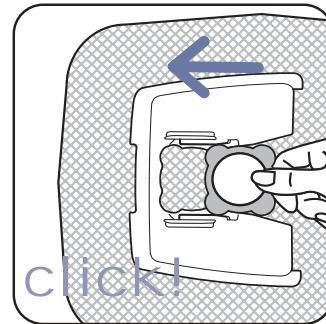
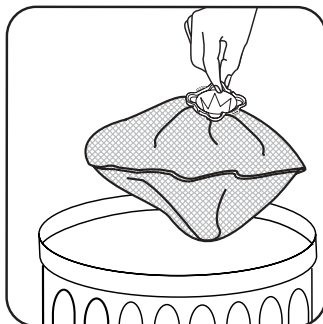
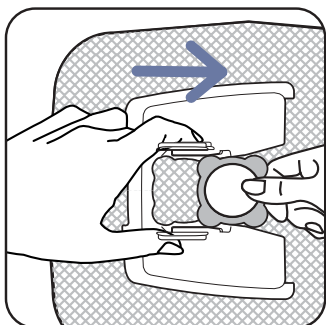
english

7 • change the dustbag or empty the textile filter*

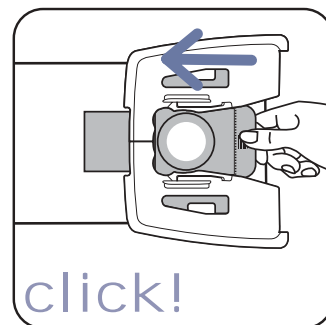
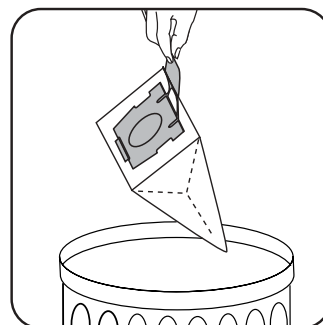
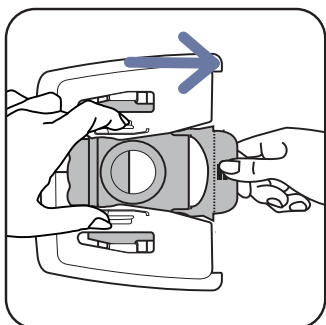


When the bag full indicator is red, the bag is full or blocked with dust particles. If the indicator remains red with the nozzle lifted off the ground, change the bag.

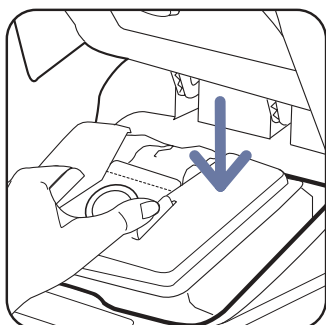
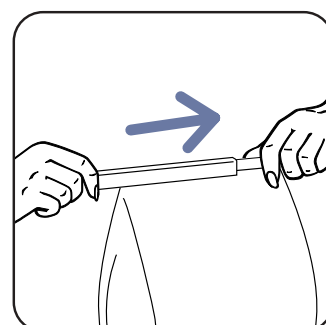
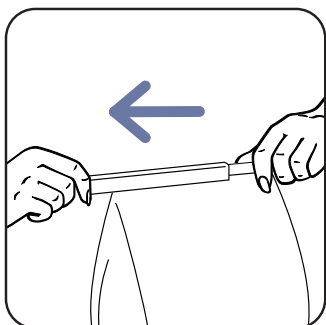
Wonderbag* :
Throw away antibacteria Wonderbag and place a new Wonderbag.



Bag ZR 0015* :
Throw away the dustbag and place a new dustbag



Textile dustbag* :
Empty and close the dustbag



Put the dustbag holder into the appliance

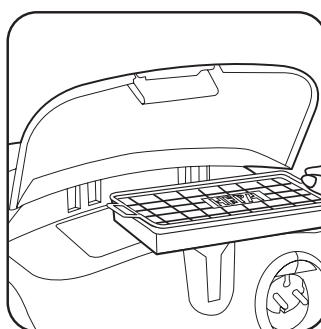
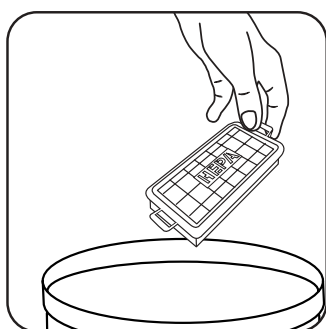
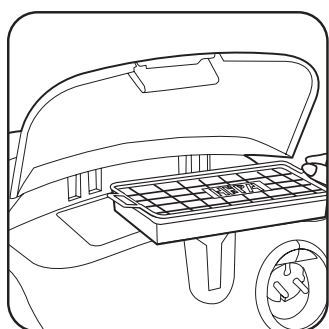
*depending on model

Important !

Every 12 months change the HEPA filter . It is advised that you note on the filter the date of first use.

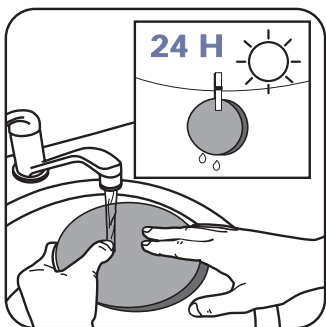
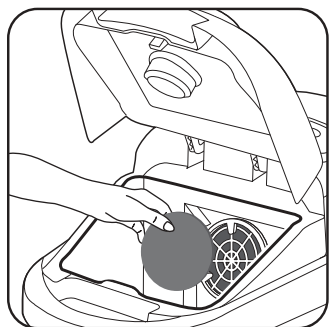
Every 6 dustbags changes, replace the antibacteria microactive filter and clean the antibacteria motor protection with soapy water, rinse and leave to dry thoroughly before putting back into place.

8 • change the antibacteria HEPA filter or microactive filter*



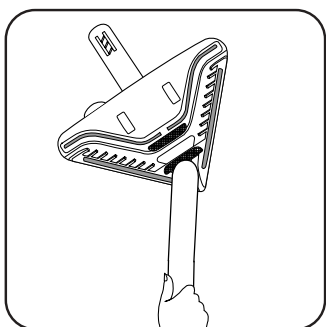
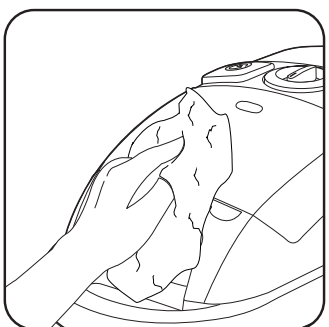
Caution !
Never use the appliance without the filtration system.

9 • clean the motor protection



Caution ! Never use the appliance without the motor protection

10 • clean your appliance



Important ! Do not use strong or abrasive cleaning products.

*depending on model

FOR YOUR SAFETY

english

Read the instructions for use carefully and keep them in a safe place.

Your vacuum cleaner is an electrical appliance: it must only be used under normal operating conditions. The appliance should be used and stored out of the reach of children. Never leave the appliance unattended when it is switched on.

The appliance is not intended for use by young children or infirm persons without supervision.

Young children should be supervised to ensure that they do not play with the appliance.

Always keep nozzles and tube ends well away from eyes and ears.

Make sure that the operating voltage of your vacuum cleaner is the same as your supply voltage - 230-240v.

Unplug the appliance by removing the plug from the power outlet:

- immediately after use,
- before changing accessories,
- before maintenance, cleaning or changing the dustbag

Do not vacuum wet surfaces, any kinds of liquids, hot substances, **ultra-fine substances (plaster, cement, ash, etc.)**, large sharp debris (glass), dangerous products (solvents, stripping compounds, etc.), chemical products (acids, cleaners, etc.), inflammable or explosive products (petrol- or alcohol-based).

Do not immerse the appliance in water or store it outdoors.

Do not use the appliance:

- if it has been dropped and shows signs of damage or functions abnormally.
- if the supply cord is defective

In this case do not open the appliance and call our helpline (overleaf).

Repairs should only be carried out by specialists using original replacement parts. It is dangerous to try to repair an appliance by yourself.

Vacuum cleaner supply cords and winding systems must, in all cases, be replaced by our approved Service Centre.

In accordance with current regulations, before disposing of an appliance no longer needed, the appliance should be made non-operational (by unplugging it and cutting off the electricity supply cord).

This product has been **designed for domestic use only**. Any professional use, inappropriate use or failure to comply with the instructions, the manufacturer accepts no responsibility and the guarantee will not apply.

Your appliance conforms to the 73/23 EEC and 89/336 EEC directives.

WHAT TO DO IF ...

english

As soon as your vacuum cleaner starts to malfunction, and before performing any checks, stop the appliance by pressing the Start/Stop button and unplug it.

Your appliance does not start

- The appliance is not plugged in.

Check that the appliance has not been unplugged, and plug it back in if necessary (see § 3).

Your appliance performs poorly, makes some noise, whistles and stops.

- The hose or tool is partly blocked.

Unblock the hose or tool.

- The dustbag is full or saturated.

Change or empty the dustbag.

- The antibacteria HEPA filter, the antibacteria microactive filter, or foam filter motor protection is saturated.

Change the filter or clean the foam filter motor protection.

- The cover is not properly closed.

Check that the bag compartment seal is properly in place. Check the position of the bag on its support. Check the position of the bag support.

- The mechanical power control is open.

Close it (see § 4).

- The electronic control is in the Soft position.

Set the control to the High position unless you are vacuuming delicate fabrics.

The bag full indicator stays red.

- The dustbag is full or saturated.

Change or empty the dustbag.

- The nozzle is stuck.

Open the mechanical power control.

Your vacuum cleaner stops while vacuuming

- The safety thermostat has tripped.

Check that nothing is blocking the tool, hose or spiral separator, and that the filter is not clogged. Allow the appliance to cool down for approximately 30 minutes before switching on again.

The power cord does not fully retract.

- The cord slows down as it is retracted.

Pull out the cord until completely extended and press on the cord rewind command (see § 5).

If the problem persists, send the appliance to your nearest Rowenta

Approved Service Centre

HELPLINE: If you have any product problems or queries, please contact our Customer Relations Team first for expert help and advice:

0845 602 1454 - UK / (01) 4751947 - Ireland

or consult our website - www.rowenta.co.uk

*depending on model